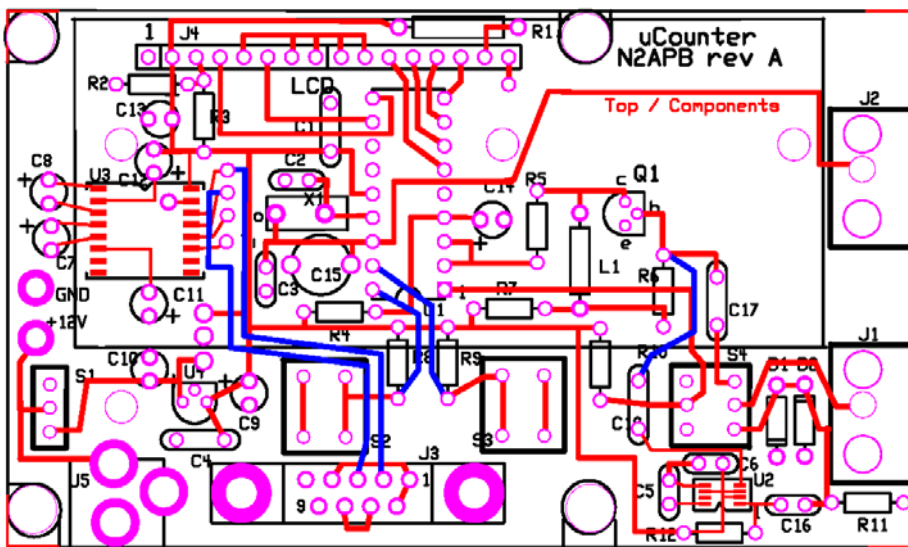


MicroCounter	
Original: IK3OIL Adapted by N2APB Rev A 9/24/2006	Sheet 1/1



QTY	Part	Description
2	C9, C10	10 uF 35V electrolytic capacitor
3	C1, C17, C18	.01uF monolithic or ceramic disc capacitor
3	C5, C6, C16	.001uF monolithic or ceramic disc capacitor
1	C2	22 pF monolithic or ceramic disc capacitor, NPO
1	C3	10 pF monolithic or ceramic disc capacitor, NPO
1	C15	4-20 pF variable capacitor
6	C7, C8, C11, C12, C13, C14	1 uF 50V electrolytic capacitor, SMT
1	J5	5.5x2.1mm coaxial power jack
1	Q1	2N2369
3	R8, R9, R10	18K 1/8 watt resistor
1	R4	22K 1/8 watt resistor
2	R5, R7	470 1/8 watt resistor
1	R6	15K 1/8 watt resistor
1	R12	75K 1/8 watt resistor
1	R11	51 1/8 watt resistor
1	R3	4.3K 1/8 watt resistor
1	R2	330 1/8 watt resistor
1	L1	10 uH inductor
1		Phono plug
2	J1, J2	Phono jack
1	S1	SPDT power switch
1	S4	DPDT toggle switch
2	S2, S3	Pushbutton, N.O.
1	LCD	LCD
2	D1, D2	1N914
1	U4	78L05 voltage regulator
1	U1	PIC16F84-04/P microcontroller
1	U3	MAX232CPE level converter
1	U2	SO-8 3.0 GHz Prescaler
1	X1	4 MHz crystal
1		Hammond Enclosure
1		18 pin IC socket
8		Machine screw, pan slotted, #4-40x0.25"
4		Spacer, nylon, hex tapped, 4-40x0.375"
1		battery clip (9V)
1		Anti-static bags
1		pcb